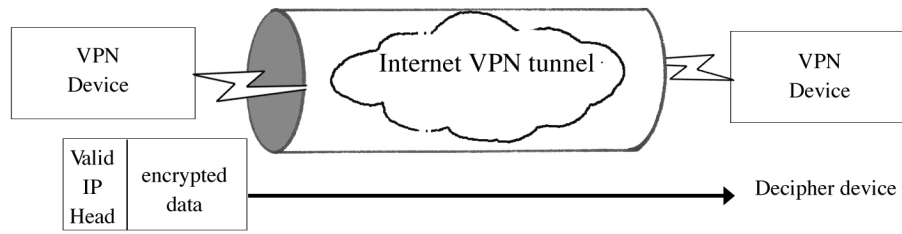
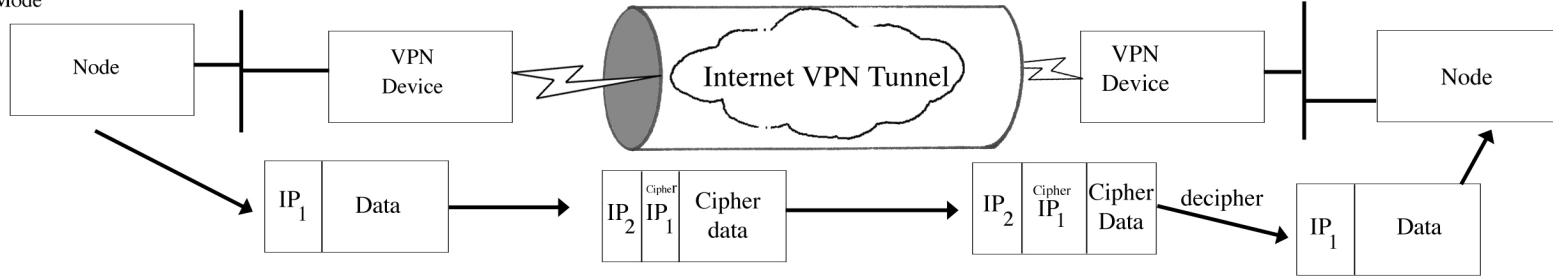


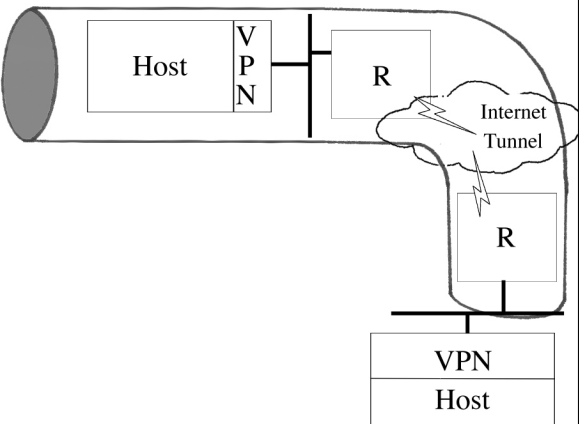
**BASIC VPN**  
Transport mode



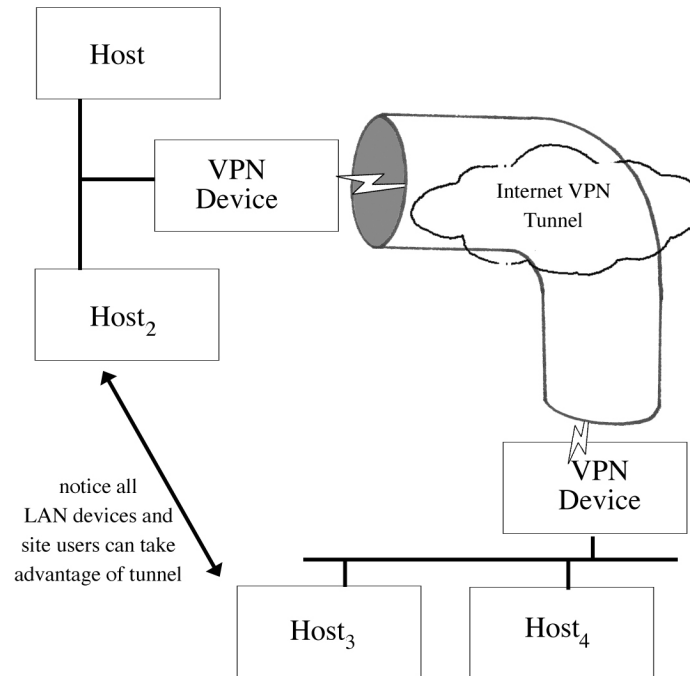
Tunnel Mode



**HOST TO HOST**



**SITE TO SITE**



**HOST TO SITE**

